

For Residential and Commercial Snow Melt Applications

Job Name _____

Contractor _____

Job Location _____

Approval _____

Engineer _____

Contractor's P.O. No. _____

Approval _____

Representative _____

ProMelt® Smart Panel

ProMelt PMSP-100 and PMSP-200 Panels

The ProMelt Smart Panel now offer integrated Wi-Fi control built in, to allow you to access your system from anywhere, anytime with the Watts Home App. Simplified installation process with easy connections and integrations.

Specifications

Call customer service if you need assistance with technical details.

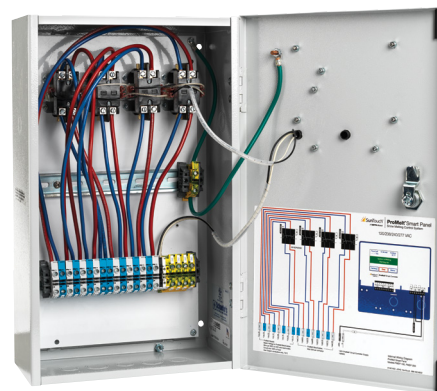
PMSP-100, PMSP-200 Specifications		
Line1, Line2	120, 208, 240, 277 VAC	12 AWG (Minimum)
120V, N	120 VAC	14 AWG
Contactors	50A Resistive load	
Compatible Sensors	Outdoor Sensor (provided)	18 AWG
	090	
	095	
	072	
Approvals	File E483460, UL 508A, CAN/CSA-C22.2 No. 14 CSA C US, meets class B: ICES & FCC Part 15	
Environment	Indoor, NEMA 1 enclosure, operating temperature -4°F to 122°F (-20°C to 50°C) < 90% RH non-condensing	

Features

ProMelt Smart Panel can be used directly with any ProMelt cable or mat system. Power is connected to terminals in the panel. Panels are pre-wired to the included contactors. It is not recommended to unwire, or tamper with existing wiring without pre-authorization from the factory.



The ProMelt Smart Panel is available in 100A and 200A versions.



Description	Order #	Dimensions
PMSP-100	81021020	20" x 12" x 8 7/8"
PMSP-200	81021021	20" x 12" x 8 7/8"
PMSub-200 (no controller)	81021022	20" x 12" x 6"

NOTICE

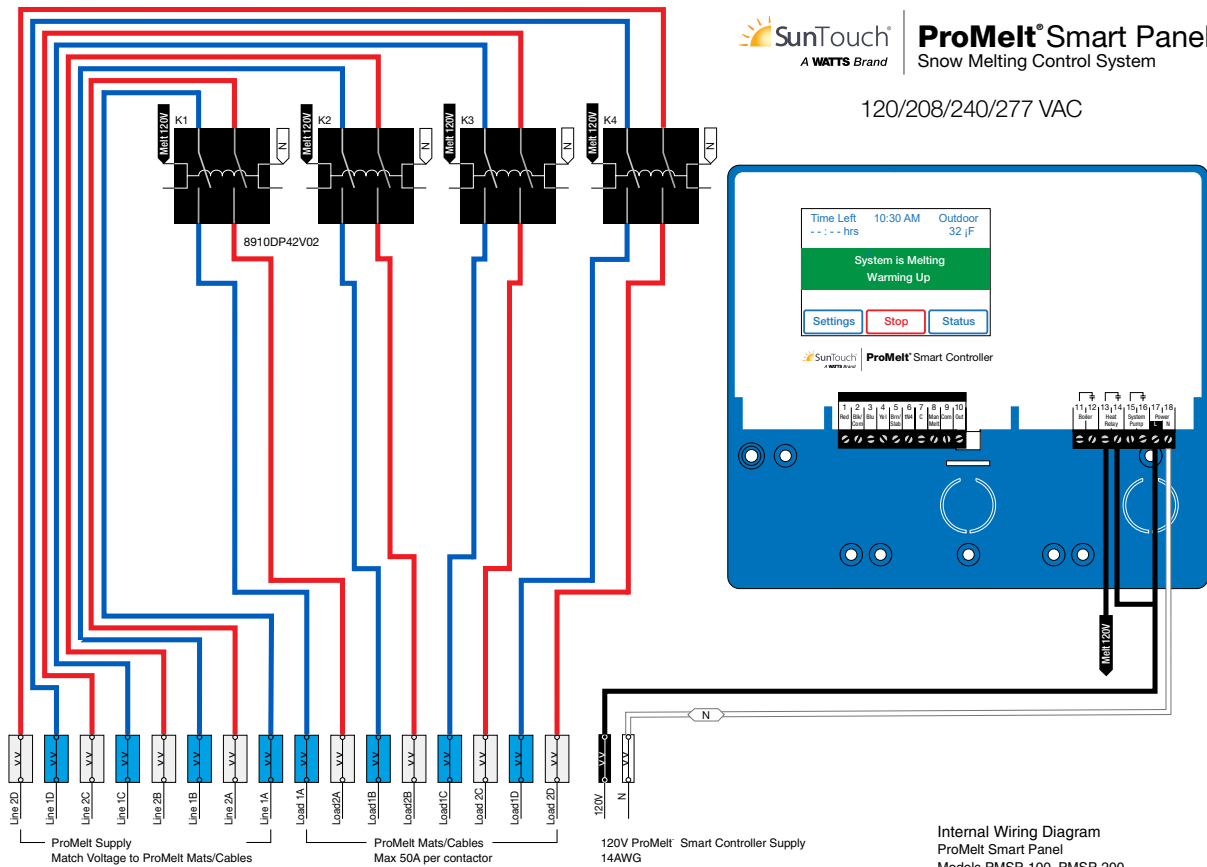
The information contained herein is not intended to replace the full product installation and safety information available or the experience of a trained product installer. You are required to thoroughly read all installation instructions and product safety information before beginning the installation of this product.



A **WATTS** Brand

Watts Radiant product specifications in U.S. customary units and metric are approximate and are provided for reference only. For precise measurements, please contact Watts Radiant Technical Service. Watts Radiant reserves the right to change or modify product design, construction, specifications, or materials without prior notice and without incurring any obligation to make such changes and modifications on Watts Radiant products previously or subsequently sold.

120/208/240/277 VAC



ProMelt Supply
Match Voltage to ProMelt Mats/Cables
Wire per NEC or CEC and local codes
Circuit size 125% of load
Use Copper conductors only, 75°C

ProMelt Mats/Cables
Max 50A per contactor

120V ProMelt Smart Controller Supply
14AWG

Internal Wiring Diagram
ProMelt Smart Panel
Models PMSP-100, PMSP-200

81021023 v2243 SunTouch 888-432-8932

